



Adjustable Motor Bases

These motor bases simplify mounting and belt tension adjustment at installation and during later maintenance checks. These are heavy duty adjustable motor bases manufactured of steel or plate. All bases are detergent washed, painted with dark gray primer and oven baked for corrosion resistance. The nuts and bolts are zinc plated. NEMA 215T and smaller bases feature one adjusting screw. Bases for NEMA 254T frame and larger motors feature two adjusting screws. Motor mounting bolts are included. Bases listed can be used with motor frame numbers given and succeeded by the letters S, T, U, US and TS, or any other letter combinations provided the motors' base meets NEMA standards.



NEMA Frame Motors	Base Catalog Number	List Price	Mult. Sym.	No. of Adjusting Screws	Motor Mounting Bolt Size	Ap'x Shpg. Wgt.
48	B48T	88	A8	1	5/16 x 1	3
56	B56T	88	A8	1	5/16 x 1	5
143T	B143T	113	A8	1	5/16 x 1	6
145T	B145T	113	A8	1	5/16 x 1	7
182T	B182T	120	A8	1	3/8 x 1 1/2	10
184T	B184T	120	A8	1	3/8 x 1 1/2	10
213T	B213T	139	A8	1	3/8 x 1 1/2	14
215T	B215T	139	A8	1	3/8 x 1 1/2	15
254T	B254T	230	A8	2	1/2 x 1 3/4	21
256T	B256T	230	A8	2	1/2 x 1 3/4	21
284T	B284T	261	A8	2	1/2 x 2	24
286T	B286T	261	A8	2	1/2 x 2	26
324T	B324T	404	A8	2	5/8 x 2 1/2	34
326T	B326T	404	A8	2	5/8 x 2 1/2	37
364T	B364T	503	A8	2	5/8 x 2 1/2	48
365T	B365T	503	A8	2	5/8 x 2 1/2	50
404T	B404T	748	A8	2	3/4 x 3	62
405T	B405T	748	A8	2	3/4 x 3	66
444T	B444T	915	A8	2	3/4 x 3	70
445T	B445T	915	A8	2	3/4 x 3	71
447T	B447T	1,078	A8	2	3/4 x 3 1/2	93
449T	B449T	1,078	A8	2	3/4 x 3 1/2	99
5007-11	B5000RLS (1)	1,624	A8	2	7/8 x 3 1/2	149

NOTE: Bases not suitable for vertical mounting. See base dimensions on next page.
 (1) One adjustable motor rail.

Geomotors and Gear Products

Motor Accessories

Grinders

Generators

Servo Motors and Controls

Mod Express

Baldor Education Workshops

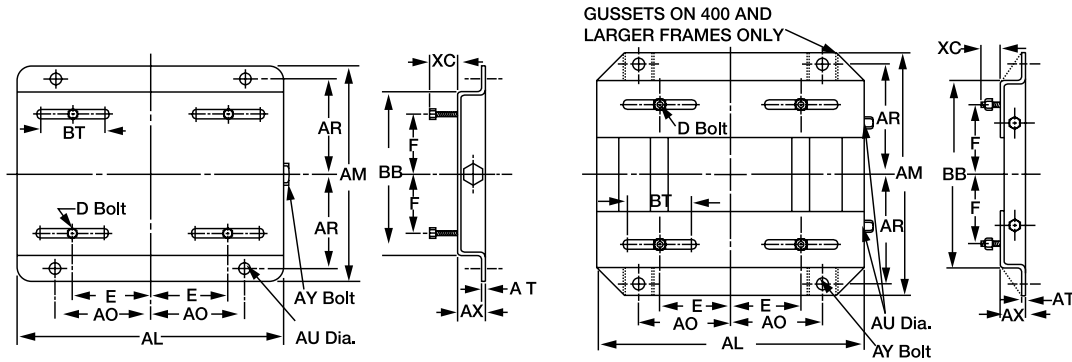
Warranties and Sales Policies

Cross Reference and Index

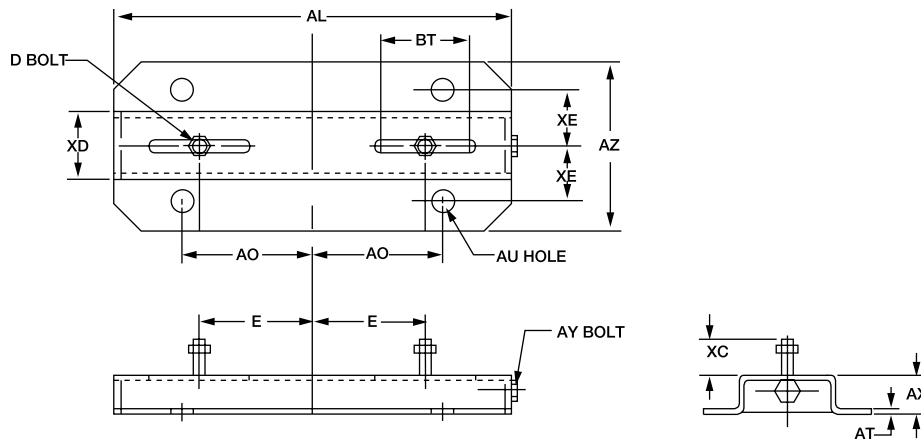
Baldor Sales Offices



Adjustable Motor Bases Dimension Diagrams



NEMA Frame	Catalog Number	E	F	AL	AM	AO	AR	AT	AU	AX	BB	BT	XC	D Bolt	AY Bolt
48	B48T	2.125	1.375	10.00	6.25	3.50	2.75	0.078	0.375	1.125	4.25	3.00	0.875	5/16 x 1	3/8 x 4
56	B56T	2.437	1.50	10.625	6.50	3.812	2.875				4.50				
143	B143T	2.75	2.00	10.50	7.50	3.75	3.375	0.109	0.375	1.125	5.50	3.00	0.812	5/16 x 1	3/8 x 4
145	B145T		2.50		8.50		3.875				6.50				
182	B182T	3.75	2.25	12.75	9.50	4.50	4.25	0.140	0.50	1.50	6.50	3.00	1.50	3/8 x 1-3/4	1/2 x 5
184	B184T		2.75		10.50		4.75				7.50				
213	B213T	4.25	2.75	15.00	11.00	5.25	4.75	0.156	0.50	1.75	7.50	3.50	1.50	3/8 x 1-3/4	1/2 x 5
215	B215T		3.50		12.50		5.50				9.00				
254	B254T	5.00	4.125	17.75	15.125	6.25	6.625	0.187	0.625	2.00	10.75	4.00	1.437	1/2 x 1-3/4	5/8 x 6
256	B256T				16.875		7.50				12.50				
284	B284T	5.50	4.75	19.75	16.875	7.00	7.50	0.187	0.625	2.00	12.514	4.50	1.687	1/2 x 2	5/8 x 6
286	B286T		5.50		18.375		8.25								
324	B324T	6.25	5.256	22.75	19.25	8.00	8.50	0.187	0.75	2.50	14.00	5.25	2.187	5/8 x 2-1/2	3/4 x 9
326	B326T				20.75		9.25				15.50				
364	B364T	7.00	5.625	25.50	20.50	9.00	9.125	0.25	0.75	2.50	15.50	6.00	2.062	5/8 x 2-1/2	3/4 x 9
365	B365T		6.625		21.50		9.625				16.50				
404	B404T	8.00	6.125	28.75	22.375	10.00	9.875	0.25	0.875	3.00	16.50	7.00	2.50	3/4 x 3	3/4 x 11
405	B405T		6.387		23.875		10.625				18.00				
444	B444T	9.00	7.25	31.25	24.625	11.00	11.00	0.25	0.875	3.00	19.25	7.50	2.50	3/4 x 3	3/4 x 11
445	B445T		8.25		26.625		12.00				21.25				
447	B447T	9.00	10.00	31.25	30.125	11.00	13.75	0.312	1.125	3.00	24.75	7.50	3.00	3/4 x 3-1/2	3/4 x 14
449	B449T		12.50		35.125		16.25				29.75				3/4 x 11



NEMA Frame	Catalog Number	E	AL	AO	AL	AU	AX	AZ	BT	XC	XO	XE	D Bolt	AY Bolt
500	B5000RLS	10.00	35.00	12.50	0.312	1.00	3.50	12.00	8.00	3.00	6.00	4.50	7/8 x 3-1/2	7/8 x 16

DIMENSIONS ARE FOR REFERENCE ONLY, CONSULT A BALDOR DISTRICT OFFICE FOR CERTIFIED DIMENSIONS